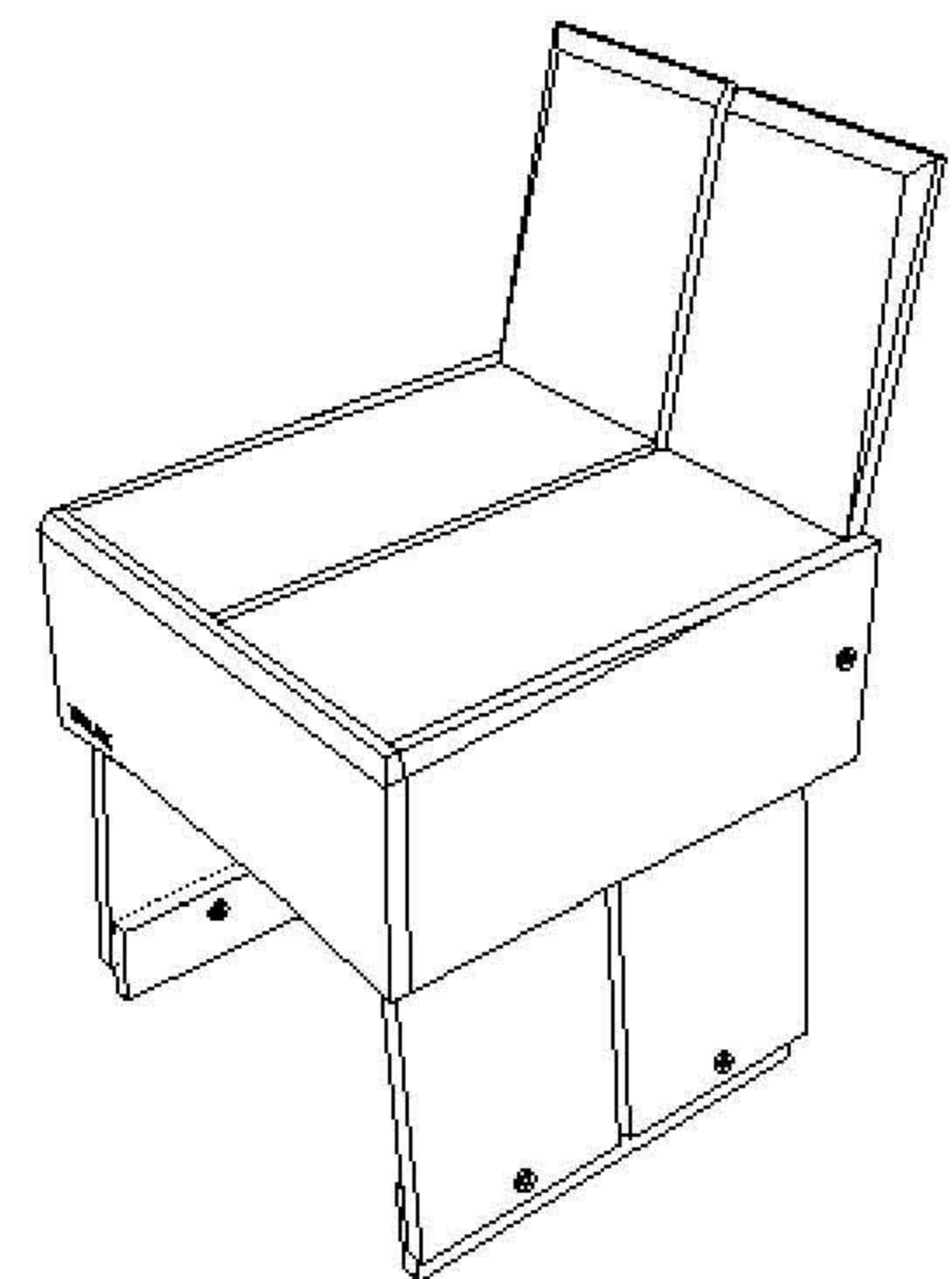




the CHAIR



Specifications:

This chair is made of birch boards (17cm width) easily assembled with anodized screws (black).

The look of the chair is fitted with several beveled edges that are made only where comfort should be improved.

A cushion may be attached to the chair seat through the central slot in order to diversify the color combinations between wood finishing and type of tissue.

Packaging sizes are 19/15/80cm
Weight: 4,5 kg

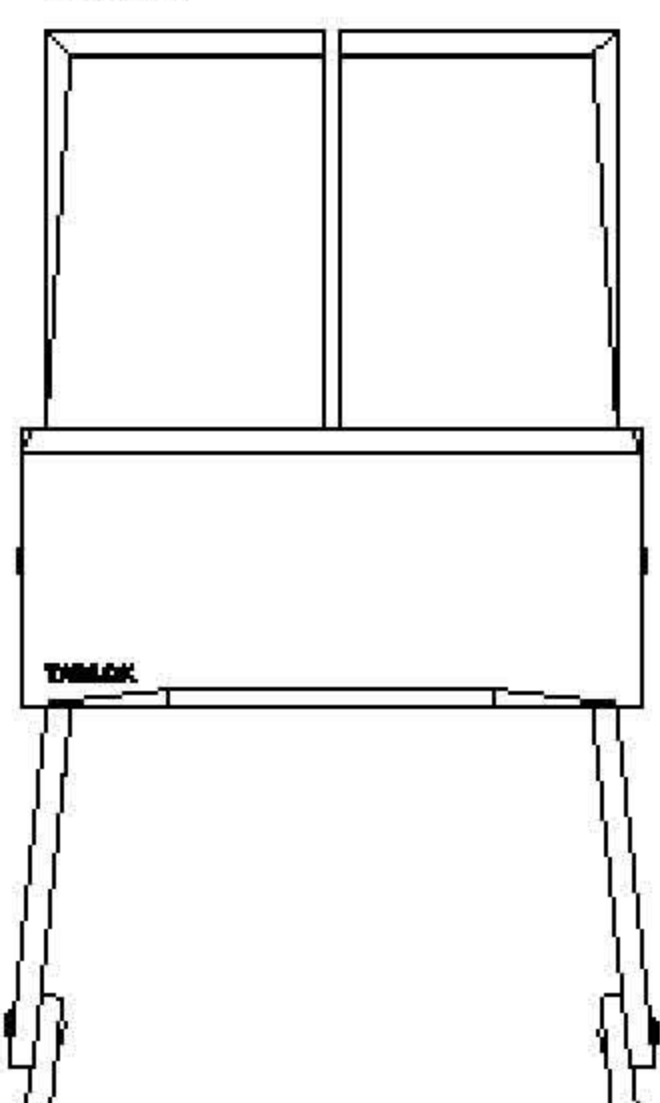
code: **TBLK-CHR**

Finishings:



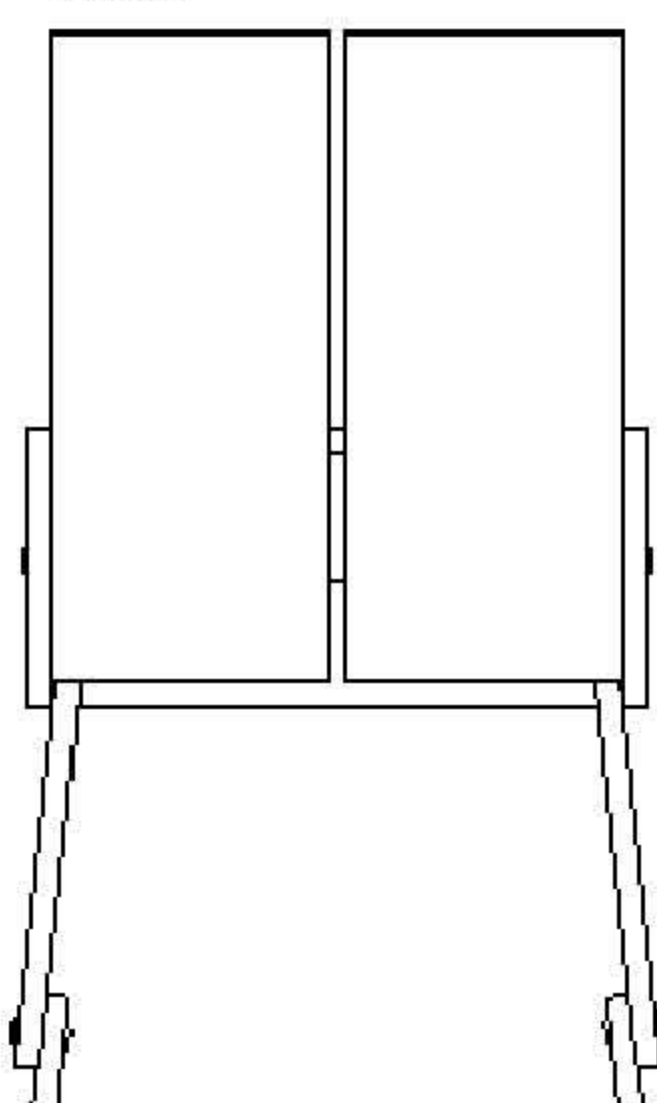
wood: 1. birch
laquers: 2. white / 3. black

front



38 cm

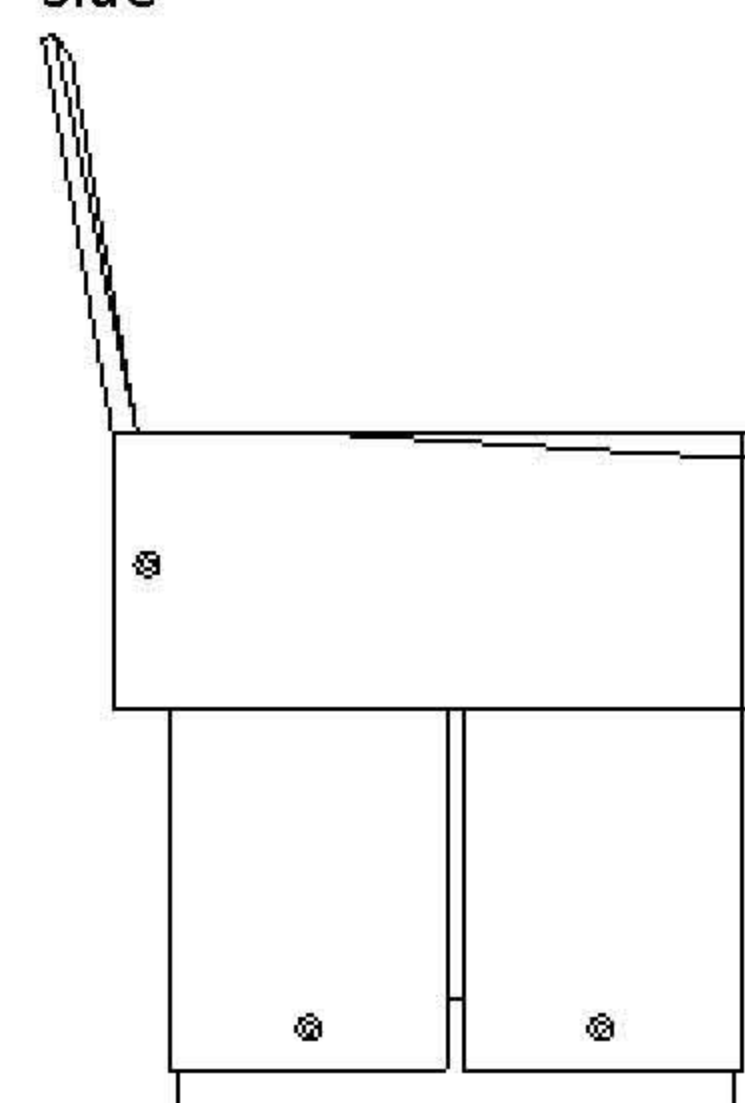
back



67 cm

44 cm

side



42 cm